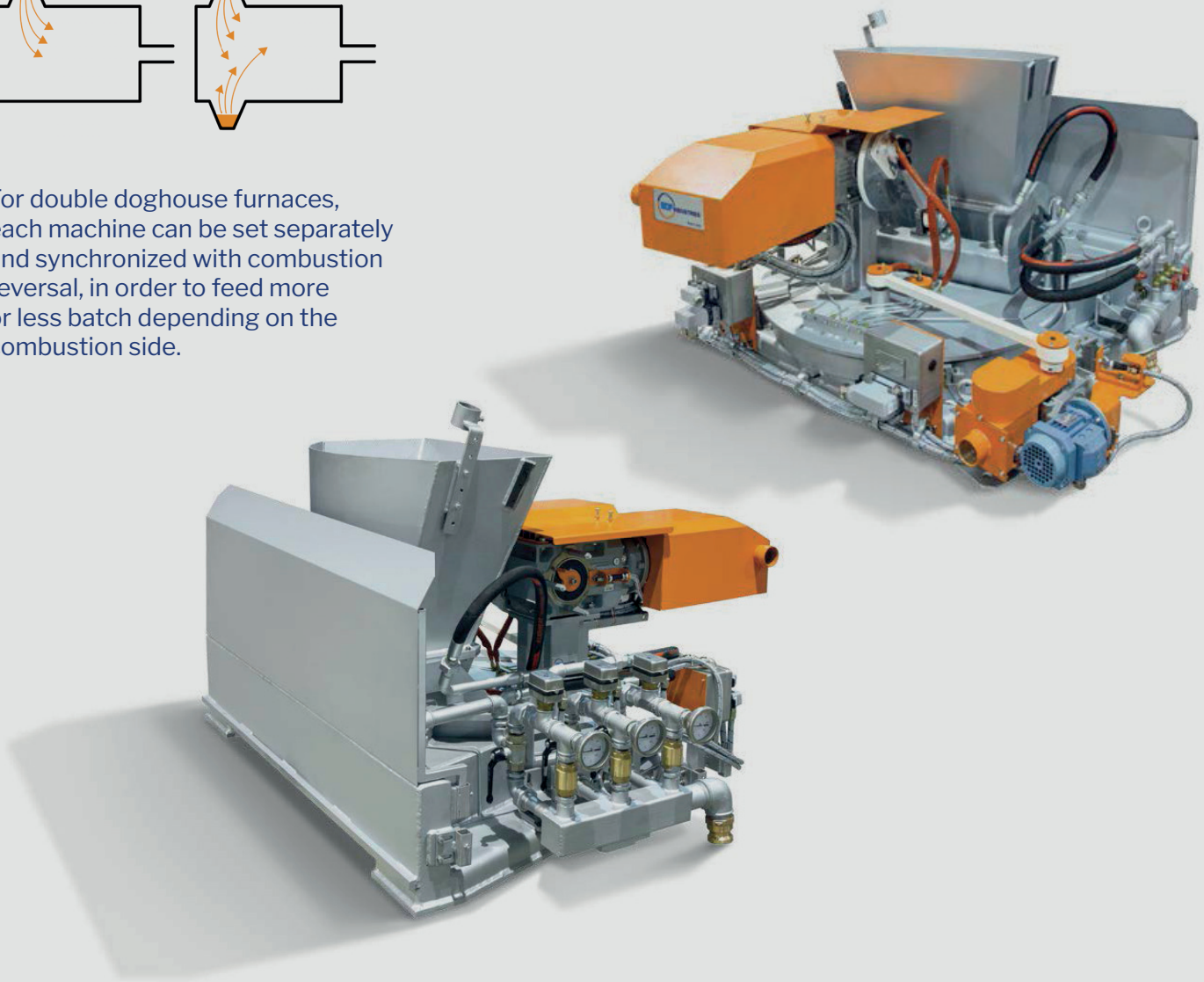


For double doghouse furnaces, each machine can be set separately and synchronized with combustion reversal, in order to feed more or less batch depending on the combustion side.



BATCH CHARGERS MEASURING, CONTROL AND SUPERVISING SYSTEM

All electronic devices are integrated in a single control panel located in the control room or in the doghouse area.

PLC and HMI touch screen are installed in the control cabinet.

Operator interface can easy control

- Rotating position
- Angle
- Residence time
- Number of strokes
- Rotation sequence

Pusher

- Zero point
- Stroke
- Velocity
-

All functions are surveyed and they are optically and acoustically indicated should any failure occur. If required, basic control module is available with std. batch charger.